

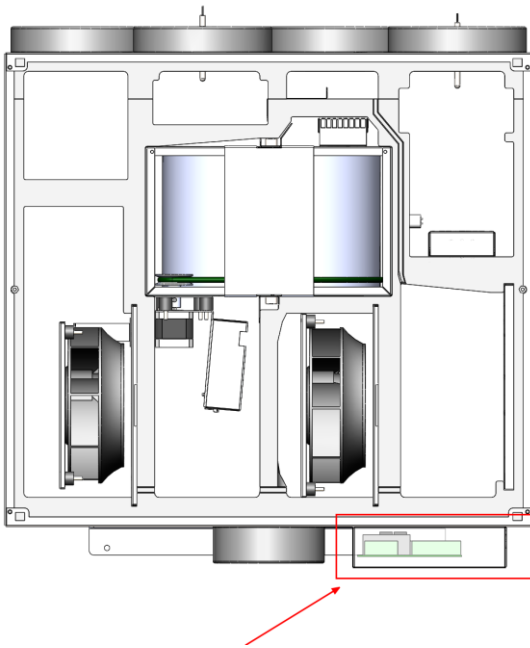
Network Cable Routing

Circuit board location for the network cable

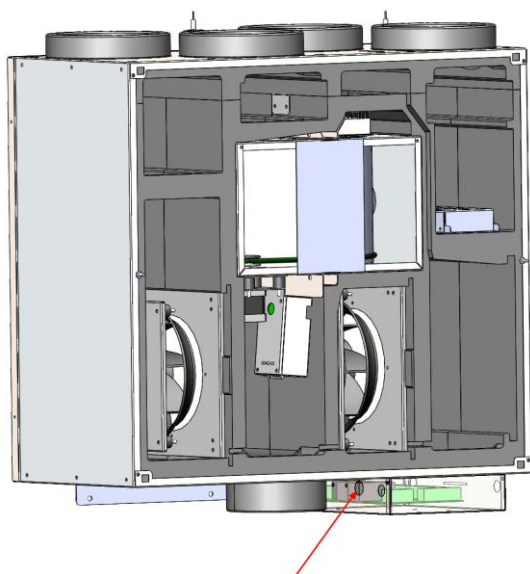
There are two versions of the circuit board location:

Version 1 – Circuit board below the unit

If you see a sheet-metal box mounted **under** the ventilation unit (see image), you have Version 1. Insert the network cable into the network port on this board.



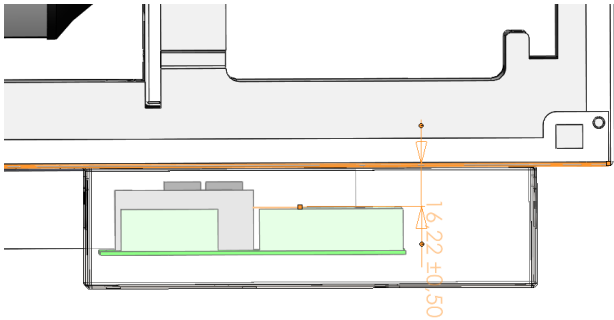
Open the sheet-metal box and insert the network cable through the hole on the side of the box.



Because space is limited, we recommend using an angled network cable.



The available space for the cable is max 16 mm.



Version 2 – Circuit board inside the unit

If there is no sheet-metal box under the unit, you have Version 2. The circuit board is inside the unit; remove the front panel, open the sheet-metal box inside the unit and insert the network cable into the network port.

Insert the cable through an available hole here.

(Number of holes may vary slightly depending on the unit generation.)

